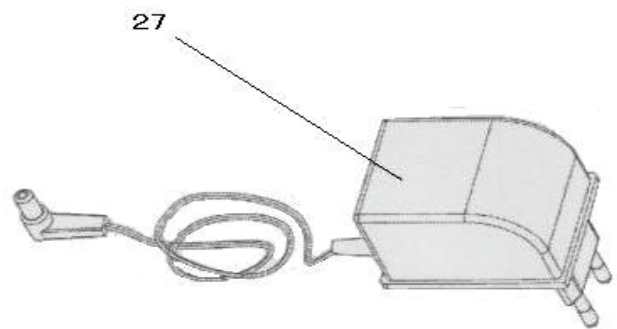
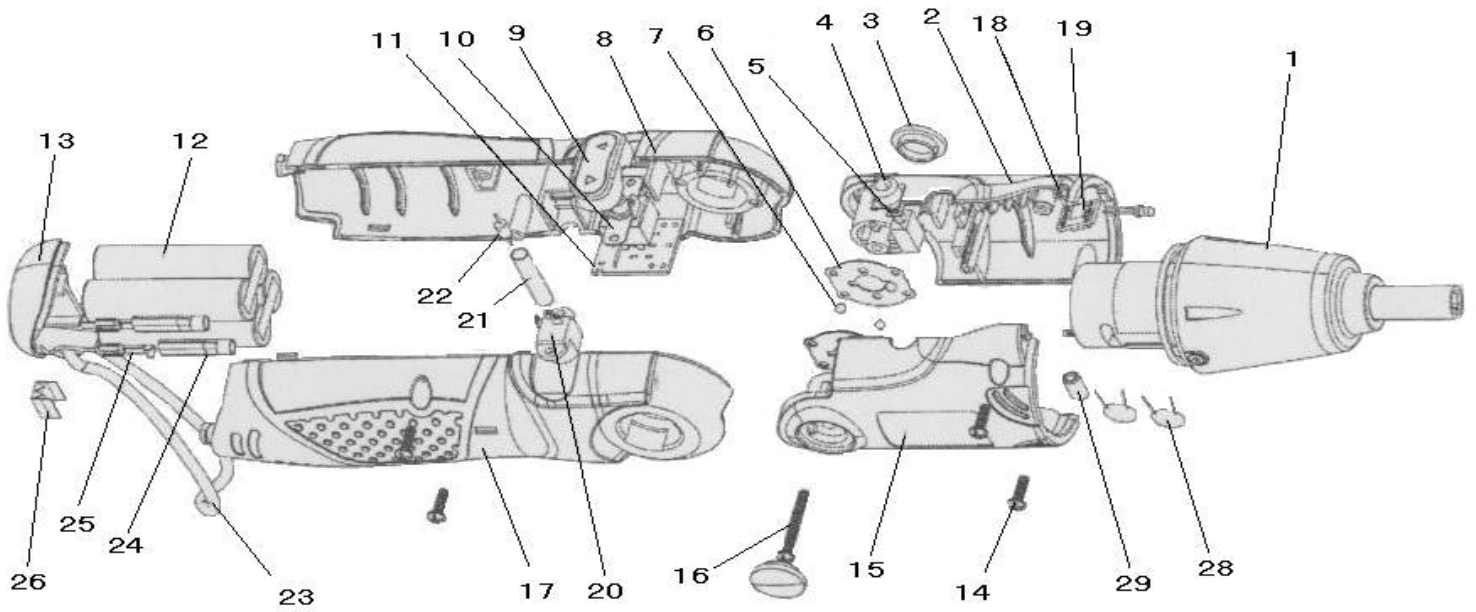




07 - 2009
6722DW
4.8V SCREWDRIVER



Item No.	Part No.	Description	Q'ty	Unit
1	TL00000001	MOTOR ASSY (AS-0282MG01)	1	PC.
	INC. TP00000072	SPUR GEAR	1	PC.
2	TL00000002	RIGHT HOUSING (AP-028307-6MK) - N/L/A	1	PC.
	TP00000069	HOUSING SET	1	SET
	INC.	Item No. 15	1	PC.
3	TL00000003	CAP (AP-028905-0) (OLD) - N/L/A	2	PC.
		USE SWITCH BUTTON SET PART NO. TP00000070 (ITEM NO.9)		
4	TL00000004	LED SWITCH BUTTON(AP-028308-0) (OLD) - N/L/A	1	PC.
		USE SWITCH BUTTON SET PART NO. TP00000070 (ITEM NO.9)		
5	TL00000005	SWITCH (CSW-P11N003A)	1	PC.
6	TL00000006	SPRING CLIP (AM-02890001)	2	PC.
7	TL00000007	STEEL BALL (AM-05060004)	4	PC.
8	TL00000008	RIGHT HANDLE (APS-028305JC) - N/L/A	1	PC.
	TP00000071	HANDLE SET	1	SET
	INC.	Item No. 17	1	PC.
9	TL00000009	SWITCH BUTTON (AP-028906-0) - N/L/A	1	PC.
	TP00000070	SWITCH BUTTON SET	1	SET
10	TL00000010	ON/OFF/ON SWITCH(CSW-R22U050C)	1	PC.
11	TL00000011	PCB (AN-0289001)	1	PC.
12	TL00000012	BATTERY (EBT-N06AA/SY)	4	PC.
13	TL00000013	TAIL CAP (APS-028303JC) (OLD) -N/L/A	1	PC.
14	TL00000014	SCREW 3.0X10 MM (MSS-B30H10B3)	4	PC.
15	TL00000015	LEFT HOUSING (AP-028306-6MK) - N/L/A	1	PC.
	TP00000069	HOUSING SET	1	SET
	INC.	Item No. 2		
16	TL00000016	SCREW 3.5X26MM(MSS-B35H26BT3)	1	PC.
17	TL00000017	LEFT HANDLE (APS-028304JC) - N/L/A	1	PC.
	TP00000071	HANDLE SET		
	INC.	Item No. 8		
18	TL00000018	PCB (AN-0283001)	1	PC.
19	TL00000019	RESISTOR (RSC-560G4)	1	PC.
20	TL00000020	DC JACK (CJP-DJ2155B)	1	PC.
21	TL00000028	SHRINK PIPE(DTU-SK030U020)	1	PC.
22	TL00000029	DIODE IN 4001 (SRT-4001D)	1	PC.
23	TL00000021	WRIST STRAP (DCW-WS0B040)	1	PC.
24	TL00000030	INSULATION (AN-0282001)	2	PC.
25	TL00000031	FEMALE TERMINAL (CTM-SR1803)	2	PC.
26	TL00000022	STRING CLIP (AM-02880001)	1	PC.
28	TL00000026	FERRITE BEAD (OFB-057098)	1	PC.
29	TL00000027	CERAMIC CAPACITOR(CPC-104050A)	2	PC.
30	TP00000075	LED LIGHT	1	PC.
<u>ACCESSORIES</u>				
A01	TL00000024	CHARGER (AD-0630-UL8/TW1)	1	PC.